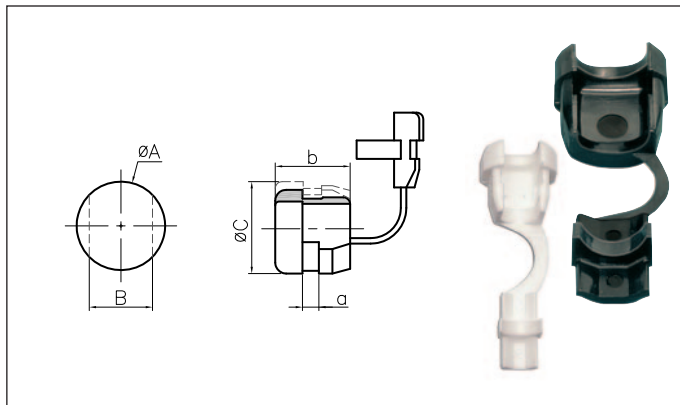


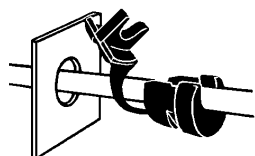


DM-SES

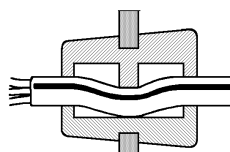
Material: polyamide 6
Colours: black - white
Operating temperatures: -20 to +70°C
Tensile strength at break: 80 MPa
Ultimate elongation: > 50%
Dielectric strength: 60 kV/mm
Flame resistance: V2 UL94 (internal test)
Application: for passing a cable through a wall with cable clamp.



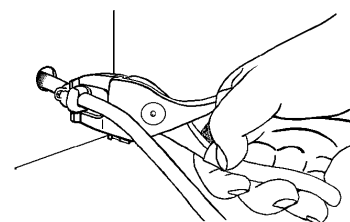
| type | article number | | dimensions of the cables (mm) | | dimensions (mm) | | | | | package |
|---------------------|----------------|---------------|-------------------------------|------------------------|-----------------|------|-------------|------|-----|---------|
| | black 010 | white 001 | Ø PVC insulation | Ø rubber insulation | Ø A | B | bore a b | | Ø C | |
| round cables | | | | | | | | | | |
| DM 2 | 0131 0012 010 | 0131 0012 001 | 3 ... 4,5 | 3 ... 4,5 | 9,5 | 8,5 | 1,7 | 10,3 | 11 | 100 |
| DM 2L | 0131 0032 010 | 0131 0032 001 | 3 ... 4,5 | 3 ... 4,5 | 9,5 | 8,5 | 3,1 | 10,3 | 11 | 100 |
| DM 4 | 0131 0001 010 | 0131 0001 001 | 5 ... 6,5 | 5 ... 7 | 13 | 11,5 | 2,5 | 12 | 14 | 100 |
| DM 5 | 0131 0010 010 | 0131 0010 001 | 6,5 ... 7,5 | 6,5 ... 7,5 | 13 | 11,5 | 2,5 | 11 | 14 | 100 |
| DM 6 | 0131 0002 010 | 0131 0002 001 | 6,6 ... 8 | 7,1 ... 9 | 16 | 14 | 3,5 | 17 | 18 | 100 |
| DM 7 | 0131 0003 010 | 0131 0003 001 | 8,1 ... 10 | 9,1 ... 11 | 22,5 | 21 | 3,2 | 20 | 25 | 100 |
| DM 8 | 0131 0004 010 | 0131 0004 001 | 10,1 ... 12,5 | 11,1 ... 14 | 22,5 | 21 | 3,6 | 22 | 22 | 100 |
| flat cables | | | | | | | | | | |
| | | | H x W | H x W | Ø A | B | a | b | Ø C | package |
| DM 2P | 0131 0022 010 | 0131 0022 001 | 3 x 5 | 3 x 5 | 9,5 | 8,5 | 1,7 | 10,3 | 11 | 100 |
| DM 2LP | 0131 0042 010 | 0131 0042 001 | 3 x 5 | 3 x 5 | 9,5 | 8,5 | 3,1 | 10,3 | 11 | 100 |
| DM 4P | 0131 0020 010 | 0131 0020 001 | 3 x 7,6 | 3,8 x 7,1 | 13 | 11,5 | 2,8 | 10,5 | 14 | 100 |
| DM 6P | 0131 0021 010 | 0131 0021 001 | 5 x 9 | 5 x 9 | 16 | 14 | 3 | 17 | 18 | 100 |



Round bore (ØA)
For torsional protection of strain relief grommets, an oblong bore (B) is required.



principle of cable clamping



• DM application tool

Rack and pinion pliers with adjustable jaws to apply all types of strain relief grommets DM-SES for small or mid-sized series.

| type | article number | characteristics | | package |
|-------------|----------------|-----------------|------------|---------|
| | | length (mm) | weight (g) | |
| R 29 | 0655 0001 000 | 180 | 270 | 1 |

